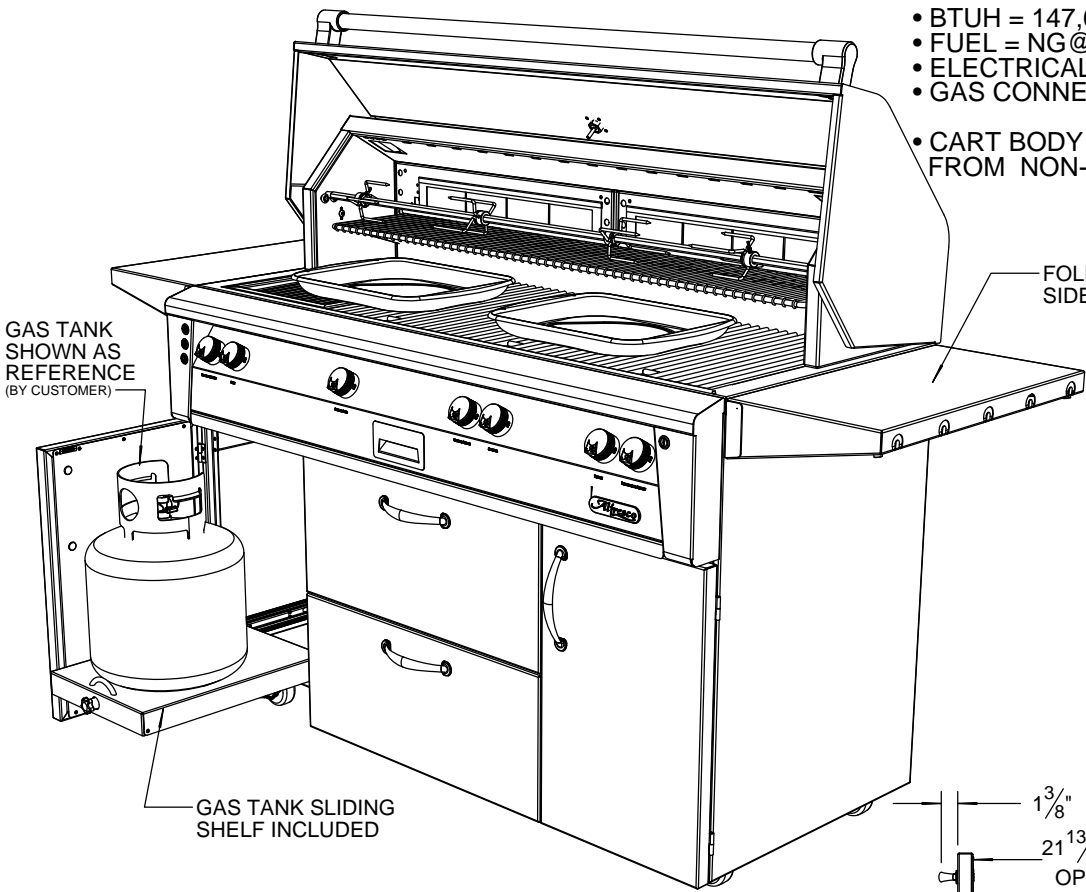


**SPECIFICATIONS:**

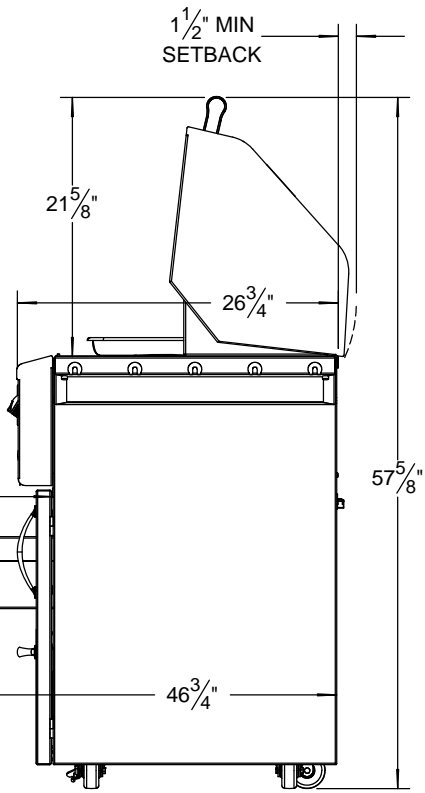
- BTUH = 147,000
- FUEL = NG @ 5 W.C. OR LP @ 10 W.C.
- ELECTRICAL POWER = 115 VAC / 1.44 A / 60 Hz.
- GAS CONNECTION = 1/2" NPT (NG) OR 3/8" ODF (LP)
- CART BODY MAY BE PLACED TO NO LESS THAN 3" FROM NON-COMBUSTIBLE MATERIALS



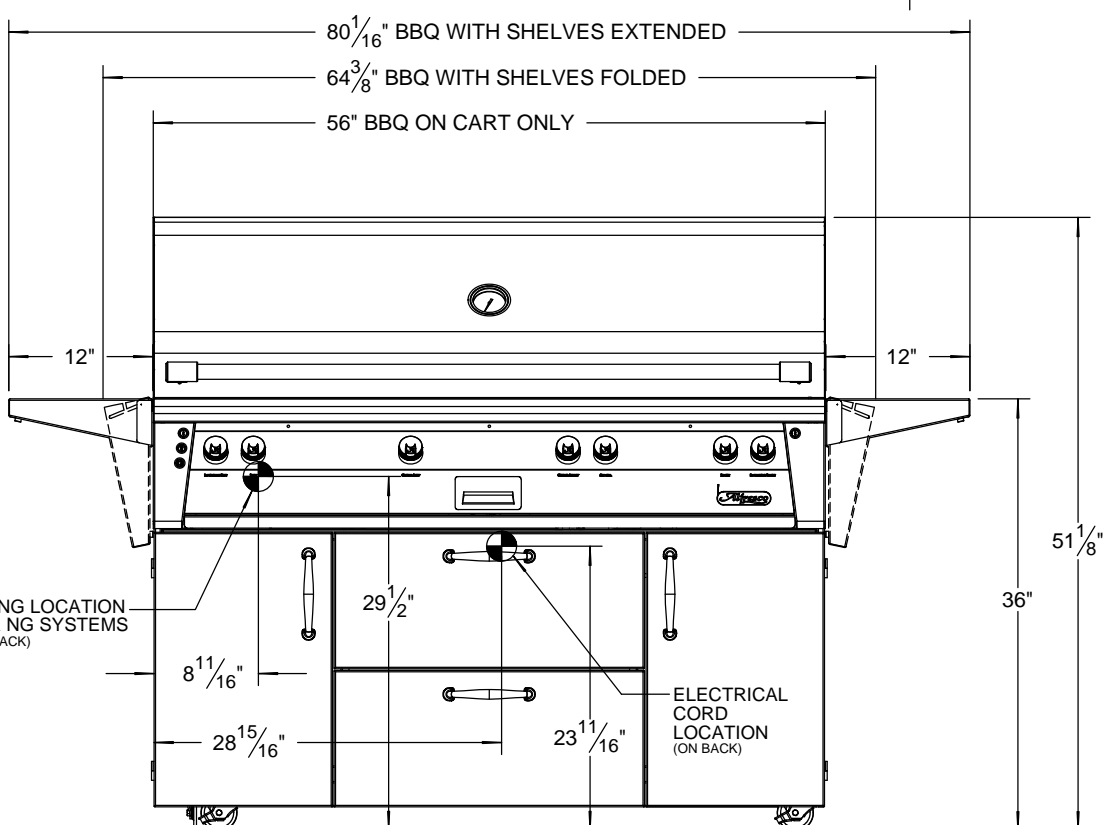
FOLDABLE AND REMOVABLE SIDE SHELVES

GAS TANK SHOWN AS REFERENCE (BY CUSTOMER)

GAS TANK SLIDING SHELF INCLUDED



**ALXE-56BFG SHOWN ON AL-56CD DELUXE CART**



PIPING LOCATION FOR NG SYSTEMS (ON BACK)

ELECTRICAL CORD LOCATION (ON BACK)